

# MEGA PACKAGING

HYUNDAI WELDING offers MEGA BAG & MEGA COIL to maximize the productivity of your welding operations, by reducing down time caused by packaging changeovers and pre-heating operations. Our excellent Submerged Arc welding consumables in these packaging types will guarantee high quality welds and low operational costs.



# HYUNDAI WELDING

HYUNDAI WELDING is a global manufacturer of welding consumables and equipment. As the top leading manufacturer of welding consumables in Korea, and with a global network of sales, distribution and manufacturing plants, HYUNDAI WELDING has developed into a key player in the international welding industry.

Our company is fully committed to the ever-changing needs of our customers and has evolved in just under 50 years to provide welding expertise and breakthroughs in welding technology. HYUNDAI WELDING understands customer needs and offers customers world-class products and world-class solutions.

## PRODUCT INFORMATION

Submerged Arc Welding is the welding process with highest deposition rate, thus highest welding productivity. HYUNDAI WELDING delivers MEGA packaging to maximize the productivity of your welding operation, by reducing down time due to packaging change overs and pre-heating operations.

Our excellent Submerged Arc welding consumables in these new packaging types will guarantee high quality welds and low operational costs. Meeting at the same time the sustainability standards, being fully recyclable. We are proud to launch our new MEGA packaging to the industries with the needs of high productivity and high quality.

## CONSUMABLE GUIDE

Pipe	Base Metal	Flux / Wire Combination	Base Metal	Flux / Wire Combination
Longitudinal	A516-50, -60 API 5L X56	M-12K / S-900SP ***	S355, S420	M-12K / S-717
	A516-50, -60 API 5L X56, API 2W 50	H-12K / Superflux787*		M-12K / S-800WT
		A-2TiB+A-2 / Superflux787*		M-12K / Superflux 800T
	A516-50, -60 API 5L X56, API 2W 50	M-12K / S-950S*		H-12K / Superflux 787
		A-2TiB+A-2 / S-950S**		H-14K / Superflux 55ULT
	API 5L X70	A-2 / S-900SP***		S460
	API 2W 60 API 5L X70	A-2 / Superflux787*	A-G / Superflux 55ULT	
API 2W 60 API 5L X70	A-2TiB+A-2 / Superflux787*			
Spiral	API 5L X56	A-2 / S-950S*		
		A-2TiB+A-2 / S-950S**		
	API 5L X70	H-14 / S-777MX**		
	API 5L X70	M-12K / S-900SP**		
		A-2 / S-900SP**		

(\*) Multi-run / (\*\*) Two-run / (\*\*\*) Multi-run or Two-run



# PACKAGING SPECIFICATIONS

## SUBARC WIRE - MEGA COIL

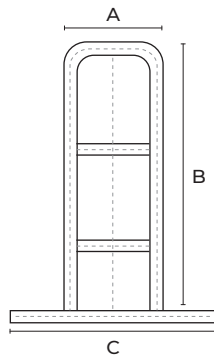


### USER ADVANTAGES

- 1 ton / 1.5 ton type COIL (2200 lbs / 3300 lbs type COIL)
- Increased productivity
- Less downtime for spool exchange
- Excellent moisture protection
- Steel frame one-off purchase
- Turntable available upon request

### 1. MEGA COIL with Steel Frame

On request, the MEGA COIL can be ordered mounted one-off purchase steel frame for use with a mechanical turn table. Turntable can also be ordered separately.



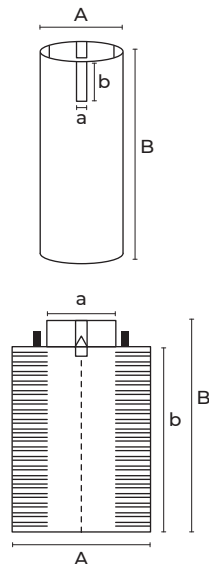
Unit: mm (in)

	1 Ton TYPE	1.5 Ton TYPE
A	450 (17.7)	450 (17.7)
B	1,400 (55.1)	1,700 (66.9)
C	950 (37.4)	950 (37.4)

Steel frame required for de-coiling of MEGA COIL, one-off purchase. Steel frame is re-usable in welding operations.

### 2. MEGA COIL – Spooled (without Steel Frame)

The MEGA COIL is standard spooled on a fully recyclable cardboard tube with four lifting eyes. In the tables below, the dimensions of the cardboard tube and MEGA COIL-spooled product are displayed.



Unit: mm (in)

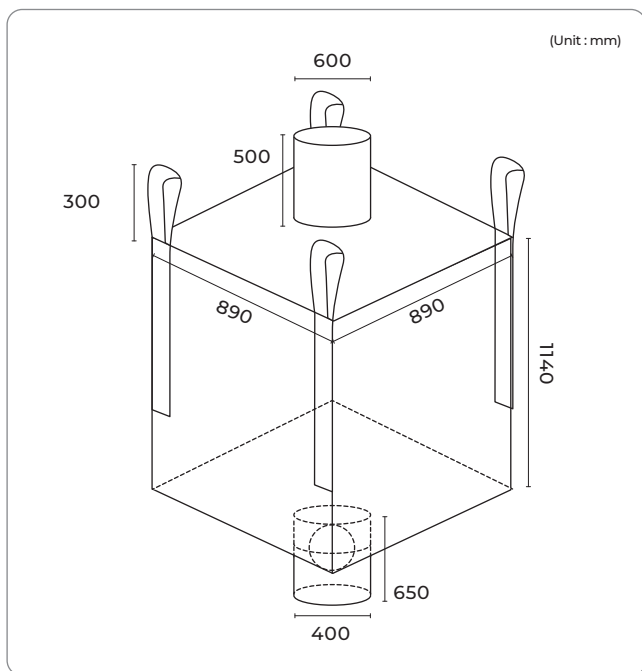
	1 Ton TYPE	1.5 Ton TYPE
A	454 (17.9)	454 (17.9)
B	1,200 (47.2)	1,600 (63.0)
a	50 (2.0)	50 (2.0)
b	250 (9.8)	150 (5.9)

	1 Ton TYPE	1.5 Ton TYPE
A	850 (33.5)	850 (33.5)
B	1,200 (47.2)	1,600 (63.0)
a	454 (17.9)	454 (17.9)
b	1,000 (39.4)	1,500 (59.1)

Pallet Size – MEGA COIL: 900 x 900 x 169 mm (35.4 x 35.4 x 6.7 in)

# PACKAGING SPECIFICATIONS

## SUBARC FLUX - MEGA BAG



### Moisture & Hydrogen

- Moisture can cause porosity and pock-marking
- Moisture may influence slag fluidity, causing a rough weld surface
- Moisture is a source of hydrogen, which, in combination with stress in the welded zone, can cause hydrogen induced cracking

The hermetically sealed **MEGA BAG** preserves the original low moisture condition of the HYUNDAI WELDING flux, as delivered from our production plants, until the moment of welding. Climate controlled storage is not necessary and the flux can be used without redrying. This accounts for a major cost reduction on storage and handling, as there are no labor and energy cost involved in redrying and holding operations.

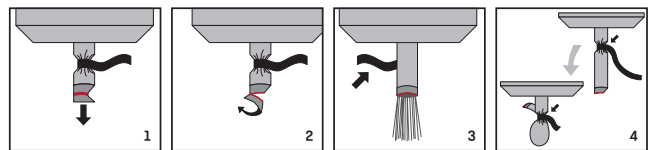
### USER ADVANTAGES

- 1 ton type FLUX (2200 lbs type FLUX)
- No moisture pick-up during transportation, storage and usage
- No redrying
- Less downtime for spool exchange
- High productivity

Unit: mm (in)

Item	Dimensions
Bag size (W*L*H)	890*890*1,140 (35*35*44.9)

### Instructions for Use



### Labor and energy cost reduction

